

REVISED FC NO: UCP2007-1976 DRAWN: BPISZCZOR 2007/02/08 CHKD: 2007/02/08 APPR: JLAURX 2007/02/09	QUALITY SYMBOLS ▽=0 ▽=0	GENERAL TOLERANCES (UNLESS SPECIFIED)		DIMENSION STYLE MM ONLY		SCALE 4:1		DESIGN UNITS METRIC		THIRD ANGLE PROJECTION																			
		<table border="1"> <thead> <tr> <th></th> <th>mm</th> <th>INCH</th> </tr> </thead> <tbody> <tr> <td>4 PLACES</td> <td>± 0.15</td> <td>± 0.006</td> </tr> <tr> <td>3 PLACES</td> <td>± 0.25</td> <td>± 0.010</td> </tr> <tr> <td>2 PLACES</td> <td>± 0.38</td> <td>± 0.015</td> </tr> <tr> <td>1 PLACE</td> <td>± 0.51</td> <td>± 0.020</td> </tr> <tr> <td colspan="3">ANGULAR ±1/2°</td> </tr> </tbody> </table>			mm	INCH	4 PLACES	± 0.15	± 0.006	3 PLACES	± 0.25	± 0.010	2 PLACES	± 0.38	± 0.015	1 PLACE	± 0.51	± 0.020	ANGULAR ±1/2°			DRAWN BY JLAURX		DATE 2/21/05		TITLE I-TRAC BACKPLANE HEADER GUIDE LEFT ASSEMBLY SALES DRAWING			
			mm	INCH																									
		4 PLACES	± 0.15	± 0.006																									
3 PLACES	± 0.25	± 0.010																											
2 PLACES	± 0.38	± 0.015																											
1 PLACE	± 0.51	± 0.020																											
ANGULAR ±1/2°																													
		CHECKED BY BP ISZCZOR		DATE 6/02/06		APPROVED BY CBIXLER		DATE 6/02/06		MOLEX INCORPORATED																			
		MATERIAL NO.		SEE CHART		DOCUMENT NO. SD-75705-002		SHEET NO. 1 OF 4																					

# 75705-\*\*\*\*

MODULE TYPE -- TAIL PLATING TYPE  
 GUIDE LEFT -- TIN/LEAD = 2  
 GUIDE LEFT -- TIN ONLY = 3  
 GUIDE LEFT W/END -- TIN/LEAD = 6  
 GUIDE LEFT W/END -- TIN ONLY = 7

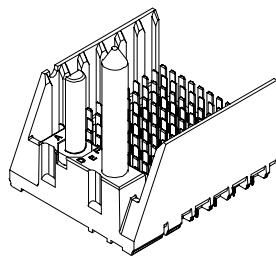
PIN LENGTH (P)  
 2 = 3.90  
 3 = 4.70  
 4 = 5.70  
 5 = 4.70 & 5.70 STAGGERED

KEY ORIENTATION  
 0 = NO KEY  
 1 = A  
 2 = B  
 3 = C  
 4 = D  
 5 = E  
 6 = F  
 7 = G  
 8 = H

# OF COLUMNS  
 5 = 5 COL  
 6 = 6 COL  
 8 = 8 COL  
 1 = 10 COL

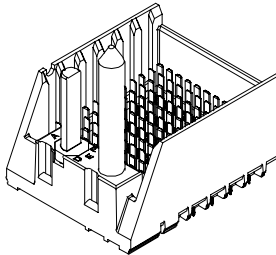
MATERIAL NUMBER	# OF COLUMNS	DIM "A"	DIM "B"
75705-5**	5	24.8	14.80
75705-6**	6	28.5	18.50
75705-8**	8	35.9	25.90
75705-1**	10	43.3	33.30

GUIDE LEFT STYLE



MATERIAL NUMBER	# OF COLUMNS	DIM "A"	DIM "B"
75705-x5**	5	26.1	14.80
75705-x6**	6	29.8	18.50
75705-x8**	8	37.2	25.90
75705-x1**	10	44.6	33.30

GUIDE LEFT W/END STYLE



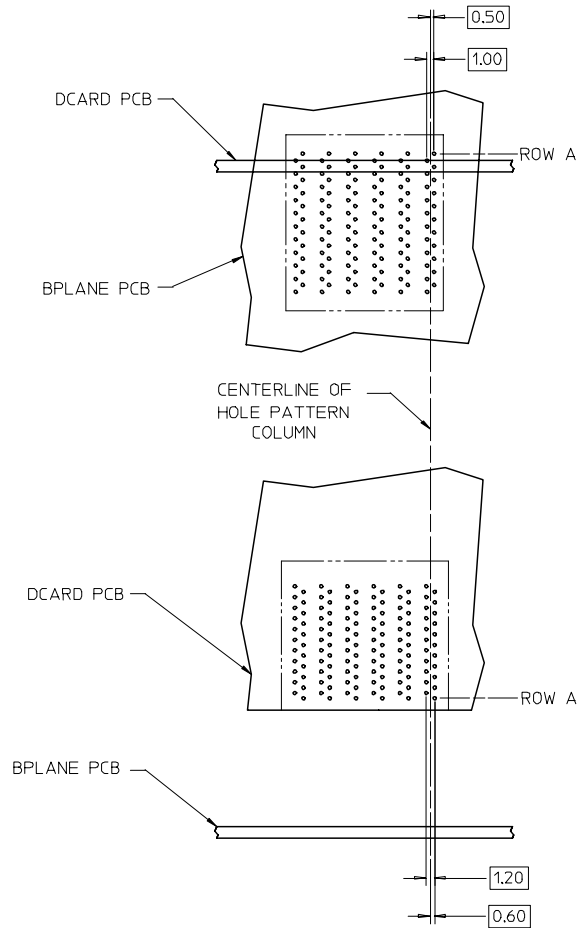
**NOTES:**

- MATERIALS: HOUSING - LIQUID CRYSTAL POLYMER (LCP) GLASS-FILLED. UL94V-0  
 TERMINALS - HIGH PERFORMANCE COPPER ALLOY
- FINISH: 30uIN MIN. GOLD IN CONTACT AREA.  
 SELECTIVE TIN/LEAD OR SELECTIVE TIN ON PCB TAILS, NICKEL OVERALL.
- REFER TO MOLEX PRODUCT SPECIFICATION PS-75710-999 FOR PERFORMANCE SPECIFICATIONS.
- FOR MIXED CONTACT MATING LENGTHS, CONSULT MOLEX FOR AVAILABILITY.
- THIS PART CONFORMS TO CLASS B REQUIREMENTS OF COSMETIC SPEC PS-45499-002.
- PACKAGE PER: PK-70873-587.
- GUIDED PARTS TO BE SHIPPED WITH 2-56 UNC B SCREW P/N 73774-1000.
- FOR GROUNDED GUIDE PINS USE DIA 3.56+/- 0.08 (PTH), DIA 3.66(DRILL), AND DIA 6.5 (PAD).
- REFER TO PCB ROUTING GUIDE FOR ANTI PAD AND ROUTING RECOMMENDATIONS.

INITIAL RELEASE EC NO: UICP2007-1976 DRAWN: BP1SZCZOR 2007/02/08 CHKD: 2007/02/08 APPR: JLAURX 2007/02/09 REV:	QUALITY SYMBOLS ▽=0 ▽=0	GENERAL TOLERANCES (UNLESS SPECIFIED)		DIMENSION STYLE MM ONLY		SCALE 4:1	DESIGN UNITS METRIC	THIRD ANGLE PROJECTION
		4 PLACES ±.05 ±.05 3 PLACES ±.05 ±.05 2 PLACES ±0.13 ±.05 1 PLACE ±0.25 ±.05 ANGULAR ±1/2°	mm INCH ±.05 ±.05 ±.05 ±.05 ±.05 ±.05 ±.05 ±.05	DRAWN BY JLAURX	DATE 2/21/05	CHECKED BY BP1SZCZOR	DATE 6/02/06	TITLE I-TRAC BACKPLANE HEADER GUIDE LEFT ASSEMBLY SALES DRAWING
		DRAFT WHERE APPLICABLE MUST REMAIN WITHIN DIMENSIONS		SEE CHART		MOLEX INCORPORATED SD-75705-002		
				MATERIAL NO.		DOCUMENT NO.		SHEET NO. 2 OF 4
THIS DRAWING CONTAINS INFORMATION THAT IS PROPRIETARY TO MOLEX INCORPORATED AND SHOULD NOT BE USED WITHOUT WRITTEN PERMISSION								

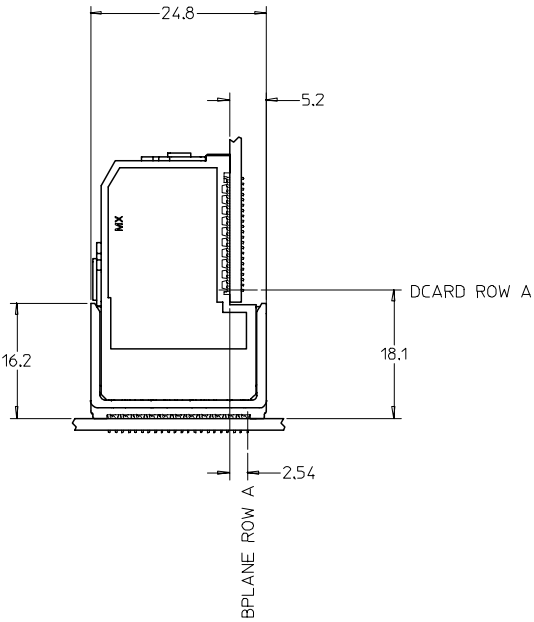
13 12 11 10 9 8 7 6 5 4 3 2 1

J  
I  
H  
G  
F  
E  
D  
C  
B  
A



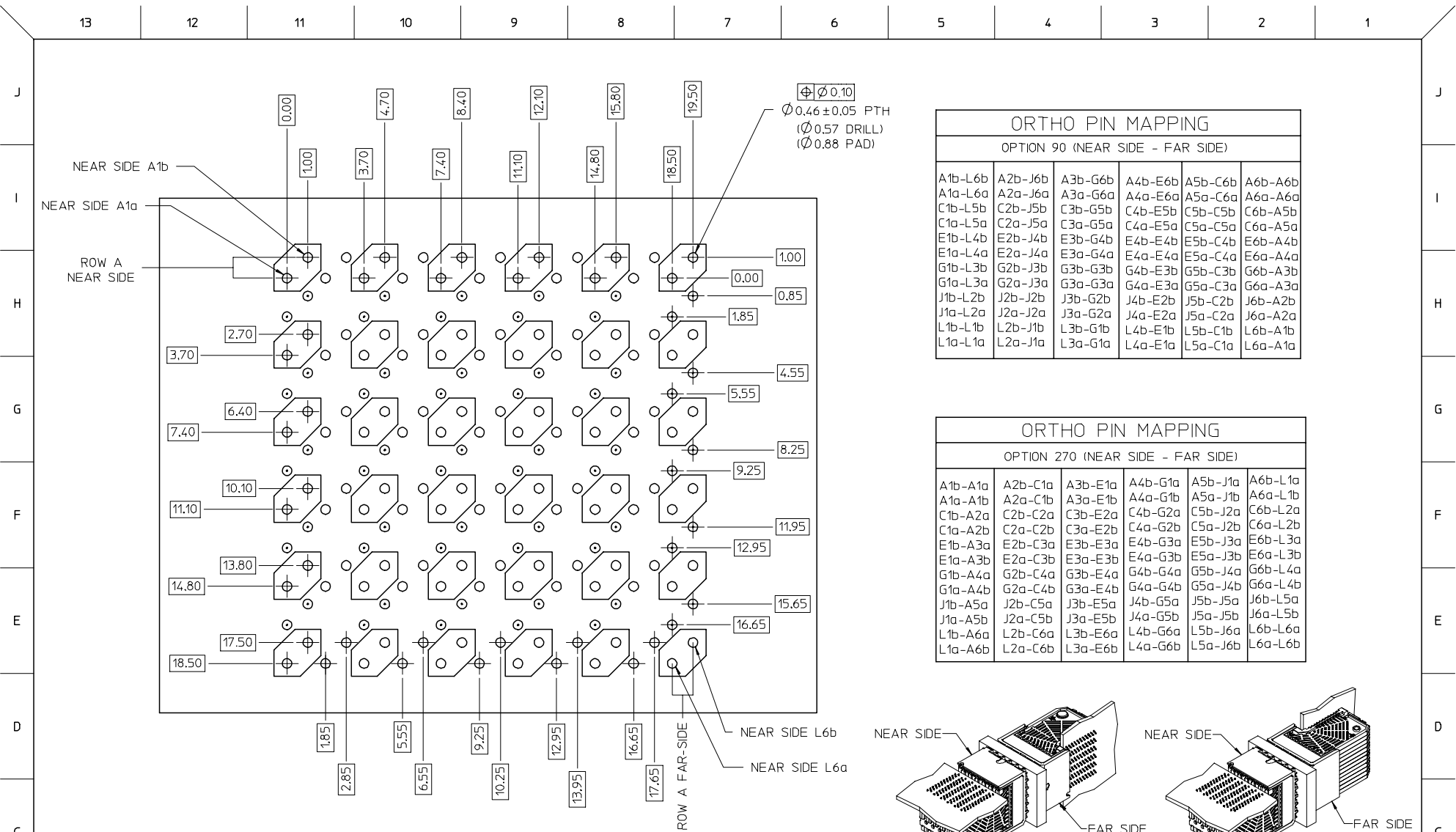
I-TRAC 11 ROW BOARD RELATIONSHIPS

SCALE 2:1



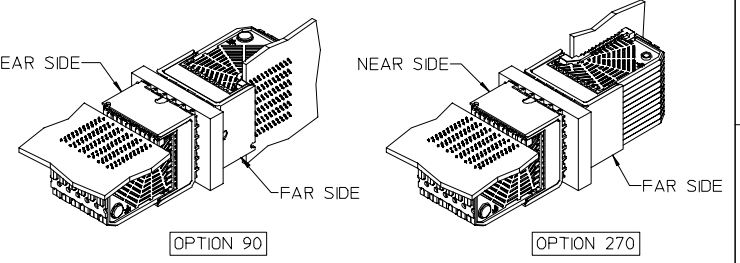
INITIAL RELEASE FC NO: UCP2007-1976 DRAWN BY: BP ISZCZOR 2007/02/08 CHKD: JLAURX 2007/02/08 APPR: JLAURX 2007/02/09 REVISIONS:	QUALITY SYMBOLS	GENERAL TOLERANCES (UNLESS SPECIFIED)	DIMENSION STYLE	SCALE	DESIGN UNITS	THIRD ANGLE PROJECTION	
	$\nabla=0$ $\nabla=0$	mm INCH 4 PLACES ± --- ± --- 3 PLACES ± --- ± --- 2 PLACES ± 0.13 ± --- 1 PLACE ± 0.25 ± --- ANGULAR ±1/2°	MM ONLY	4:1	METRIC	DRAWN BY: JLAURX DATE: 2/21/05 CHECKED BY: BP ISZCZOR DATE: 6/02/06 APPROVED BY: CBIXLER DATE: 6/02/06 MATERIAL NO.	
		DRAFT WHERE APPLICABLE MUST REMAIN WITHIN DIMENSIONS	SEE CHART	TITLE: I-TRAC BACKPLANE HEADER GUIDE LEFT ASSEMBLY SALES DRAWING		DOCUMENT NO. SD-75705-002	SHEET NO. 3 OF 4
				MATERIAL NO. SEE CHART		MOLEX INCORPORATED	

12 11 10 9 8 7 6 5 4 3 2 1



ORTHO PIN MAPPING					
OPTION 90 (NEAR SIDE - FAR SIDE)					
A1b-L6b	A2b-J6b	A3b-G6b	A4b-E6b	A5b-C6b	A6b-A6b
A1a-L6a	A2a-J6a	A3a-G6a	A4a-E6a	A5a-C6a	A6a-A6a
C1b-L5b	C2b-J5b	C3b-G5b	C4b-E5b	C5b-C5b	C6b-A5b
C1a-L5a	C2a-J5a	C3a-G5a	C4a-E5a	C5a-C5a	C6a-A5a
E1b-L4b	E2b-J4b	E3b-G4b	E4b-E4b	E5b-C4b	E6b-A4b
E1a-L4a	E2a-J4a	E3a-G4a	E4a-E4a	E5a-C4a	E6a-A4a
G1b-L3b	G2b-J3b	G3b-G3b	G4b-E3b	G5b-C3b	G6b-A3b
G1a-L3a	G2a-J3a	G3a-G3a	G4a-E3a	G5a-C3a	G6a-A3a
J1b-L2b	J2b-J2b	J3b-G2b	J4b-E2b	J5b-C2b	J6b-A2b
J1a-L2a	J2a-J2a	J3a-G2a	J4a-E2a	J5a-C2a	J6a-A2a
L1b-L1b	L2b-J1b	L3b-G1b	L4b-E1b	L5b-C1b	L6b-A1b
L1a-L1a	L2a-J1a	L3a-G1a	L4a-E1a	L5a-C1a	L6a-A1a

ORTHO PIN MAPPING					
OPTION 270 (NEAR SIDE - FAR SIDE)					
A1b-A1a	A2b-C1a	A3b-E1a	A4b-G1a	A5b-J1a	A6b-L1a
A1a-A1b	A2a-C1b	A3a-E1b	A4a-G1b	A5a-J1b	A6a-L1b
C1b-A2a	C2b-C2a	C3b-E2a	C4b-G2a	C5b-J2a	C6b-L2a
C1a-A2b	C2a-C2b	C3a-E2b	C4a-G2b	C5a-J2b	C6a-L2b
E1b-A3a	E2b-C3a	E3b-E3a	E4b-G3a	E5b-J3a	E6b-L3a
E1a-A3b	E2a-C3b	E3a-E3b	E4a-G3b	E5a-J3b	E6a-L3b
G1b-A4a	G2b-C4a	G3b-E4a	G4b-G4a	G5b-J4a	G6b-L4a
G1a-A4b	G2a-C4b	G3a-E4b	G4a-G4b	G5a-J4b	G6a-L4b
J1b-A5a	J2b-C5a	J3b-E5a	J4b-G5a	J5b-J5a	J6b-L5a
J1a-A5b	J2a-C5b	J3a-E5b	J4a-G5b	J5a-J5b	J6a-L5b
L1b-A6a	L2b-C6a	L3b-E6a	L4b-G6a	L5b-J6a	L6b-L6a
L1a-A6b	L2a-C6b	L3a-E6b	L4a-G6b	L5a-J6b	L6a-L6b



NOTES:

- SIGNAL PAIRS (SHARED VIAS)
- NEAR SIDE GROUNDS
- FAR SIDE GROUNDS

INITIAL RELEASE EC NO: UCP2007-1976 DRW:BP/ISZCZOR 2007/02/08 CHKD: BP/ISZCZOR 2007/02/08 APPR: JLAURX 2007/02/09 REVISIONS DESCRIPTION	QUALITY SYMBOLS	GENERAL TOLERANCES (UNLESS SPECIFIED)	DIMENSION STYLE	SCALE	DESIGN UNITS	THIRD ANGLE PROJECTION	
		mm INCH	MM ONLY	4:1	METRIC		
		4 PLACES ± --- ± ---	DRAWN BY DATE	TITLE			
		3 PLACES ± --- ± ---	JLAURX 2/21/05	I-TRAC BACKPLANE HEADER GUIDE LEFT ASSEMBLY SALES DRAWING			
	2 PLACES ± 0.13 ± ---	CHECKED BY DATE	MATERIAL NO.				
	1 PLACE ± 0.25 ± ---	BP/ISZCZOR 6/02/06	DOCUMENT NO.				
	ANGULAR ±1/2°	APPROVED BY DATE	SHEET NO.				
		CBIXLER 6/02/06	4 OF 4				
			SEE CHART				
			SD-75705-002				
			THIS DRAWING CONTAINS INFORMATION THAT IS PROPRIETARY TO MOLEX INCORPORATED AND SHOULD NOT BE USED WITHOUT WRITTEN PERMISSION				